

# Residence R 4 Contour

  
C. BECHSTEIN



# Welcome to the exquisite German grand and upright piano manufactory.

”

Piano music should  
only be written  
for the Bechstein.

Claude Debussy

**Ever since 1853,  
C. Bechstein has been  
handcrafting the finest  
masterpieces of  
German piano tradition,  
the gold standard for the  
most sophisticated ears  
and discerning fingers.**

The singing, lively sound of the Residence line inspires from the very first note. Professionals and beginners alike are drawn to the subtly controllable touch. The Classic, Contur, Elegance, Millenium and Style editions are true beauties.

Be it traditional profiles or elegant details, timeless shapes or modern design, each of these upright pianos is unique, enabling customers to select the perfect model to match their interiors.



— ANDRE CHEZ LEWIS & CHILLY GONZALES —



Deep, colorful and dynamic sound, sparkling treble, shining, poetic

Traditional action frame with wooden rails, C. Bechstein hammer heads with walnut mouldings

Very robust pine back frame construction, soundboard support frame made from solid beech, diagonal support made from maple with mahogany inserts

Acoustic assembly in the traditional C. Bechstein design

Compatible with Bluetooth MIDI (C. Bechstein Connect)

Quality cabinets available in a wide range of styles, elegant forged concert pedals

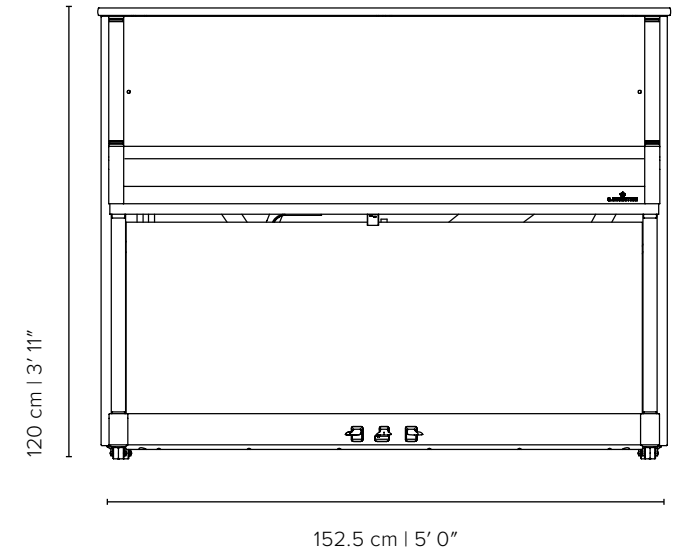
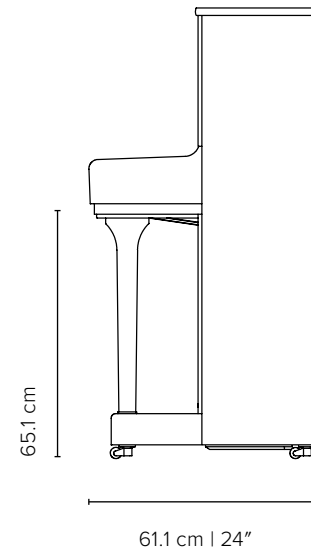
**UNIQUE. LIKE YOU.** Create your piano exactly the way you like it! Choose from over 190 RAL colors — from deep, rich tones to soft pastels and bold, vibrant shades, in glossy or matte — unique just like you!

# Residence R 4 Contur

## Top quality – Handmade in Germany

The upright pianos of the Residence line in traditional C. Bechstein design with their singing, lively sound. The medium-sized C. Bechstein Residence R 4 Contur piano is the epitome of balance. The touch alone impresses with its exceptional delicacy and effortlessness. The sound inspires with a wonderful balance of overtones. In the Contur version, curved shapes and fine brass inlays contribute to the elegant appearance.

<b>Dimensions &amp; weight</b>	152.5 × 120 × 61.1 cm   223 kg 4' 0" × 3' 11" × 24"   492 lbs
<b>Designs</b>	Black, white; other finishes and veneers available on request
<b>Soundboard</b>	Selected, very fine-grained European mountain spruce
<b>Action &amp; Hammerheads</b>	Original C. Bechstein components; Developed and produced by C. Bechstein
<b>Pedals</b>	Piano, Muffler, Forte (Damper)
<b>Keys</b>	Man-made white key tops with a pleasant grip & ebony sharps
<b>Pin block</b>	Multiple glued and compressed layers of beech (Delignit)



[→ Learn more about the model](#)

# Residence R 4 Contur | Acoustic assembly

## C. Bechstein RESILIENT SOUND SYSTEM

The unique and holistic engineering concept of C. Bechstein Residence upright pianos exclusively uses elements that support and enrich the sound. In combination with the C. Bechstein principle of sound-supporting tension, all components are carefully selected and balanced for dynamic range, volume, tone length and richly colorful sound, not to mention optimal tuning stability and outstanding longevity.

## BACK FRAME

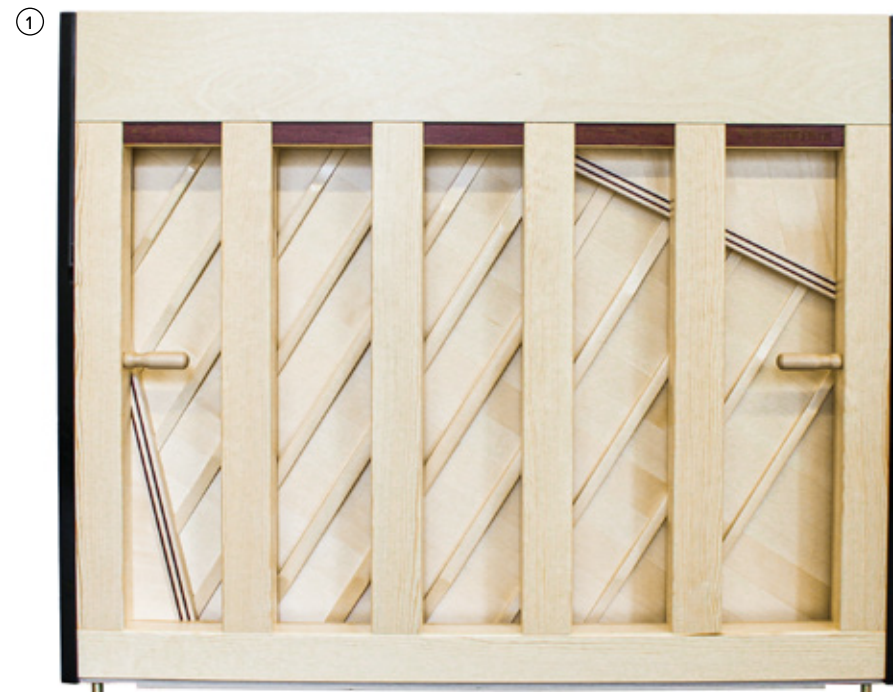
Six **highly robust**, quadruple-laminated braces made of layers of solid pine form the stable backbone of the upright piano. The sophisticated design with groove and mortise and tenon joint supports the vibrating soundboard and absorbs bending forces from the cast-iron frame. Soundboard support rails made from solid European beech; additional diagonal soundboard support in the bass and treble made from **maple with mahogany inserts** to enclose the vibrating soundboard. This quality construction guarantees climatic stability as well as impressive tonal volume and exceptional tuning stability. ①

## PINBLOCK

High-quality **pinblock material** made from cross-laminated and compacted sheets of beech veneer for excellent, even tunability and tuning stability (**Delignit**).

## TUNING PINS

Quality tuning pins made from nickle-plated steel, **6.9 mm × 64 mm**. Balanced torque, low torsion, excellent tunability and tuning stability, **with tuning pin bushings**.



All sample images are representative of the line.



- ARTISANS - C. BECHSTEIN MANUFACTORY SEIFENHEHERSDORF -

# Residence R 4 Contur | Acoustic assembly

## CAST-IRON FRAME

The cast-iron frame ② has the stability needed to withstand the enormous string-tension. Thanks to the careful sizing and traditional method of sand casting by hand, the cast-iron frame also enhances the sound.

## STRINGS

Made from quality piano wire with high tensile strength and valuable copper wire from Germany, the strings have been calculated to maximize string length with balanced registers, harmonious overtone spectrum and excellent tuning stability. The strings are held in place by **agraffes** in keeping with C. Bechstein's traditional design. **Brass semi-circular aliquot bar in the treble.** ③

## DUPLEX SYSTEM

**Aliquot section with resonating strings to enrich the sound colors, without a duplex system.**

## SOUNDBOARD

The soundboard and ribs are made from **special-ly selected**, fine-grained European mountain spruce, which is stored for years and dried carefully. The bridges consist of solid European beech with European beech caps. The ribs are not tapered towards their end until they have been glued onto the soundboard. This promotes the elasticity of the soundboard. The diagonal soundboard support bars are designed to optimize the adaption of the soundboard to the string scale.

②



③



– ARTISANS – C. BECHSTEIN MANUFACTORY SEIFENHEHERSDORF –

# Residence R 4 Contur | Action

## C. BECHSTEIN DYNAMIC TOUCH DESIGN

The highly reliable C. Bechstein actions are developed in-house and allow perfect control and execution in any position of the key movement and offer quick repetition as well as a pleasant and even touch. Every key is balanced individually.

## KEYBOARD

A quality keyboard made of solid spruce keys, man-made white key tops with a **pleasant grip** and ebony sharps. Precise key movements with high-quality, wear-resistant bushing felt.

## C. BECHSTEIN ACTION ④

All components are designed, specified, selected, inspected and calibrated for precise and reliable function and durability. Strict selection and testing of all materials with regard to density, durability and gliding properties guarantee a reliable action at all times. **Traditional action frame with wooden rails.**

## C. BECHSTEIN CONNECT

The piano piece is converted to MIDI and made available via Bluetooth. The original touch of the acoustic instrument is maintained.

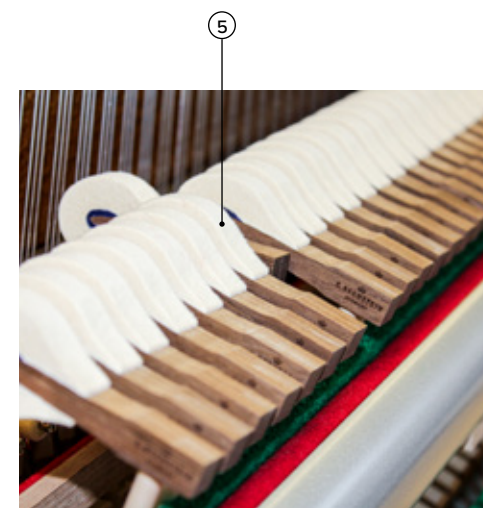
## C. BECHSTEIN HAMMER HEADS

Developed and produced in-house, C. Bechstein hammer heads ⑤ are a significant and consistent factor in the unique sound of the C. Bechstein Residence line – made with the highest-quality elastic felt and **walnut** mouldings.

The intricate, multi-stage process of voicing is performed to **C. Bechstein Residence quality standards.**

## PEDALS

3 pedals: Piano (una corda), moderator and forte (damper)





– ARTISANS – C. BECHSTEIN MANUFACTORY SEIFENHERSDORF –

# Residence R 4 Contur | C. Bechstein Digital Systems

## C. Bechstein Connect & Connect Pro

C. Bechstein Connect is a digital component for an acoustic instrument. While playing the piano, the system scans the keyboard and pedals of the instrument in high resolution and converts the data into MIDI, a universal musical instrument language. It connects to the popular apps via Bluetooth. The original touch of the acoustic instrument is maintained.

### BLUETOOTH-MIDI

Connect smartphones, tablets or notebooks via Bluetooth to C. Bechstein Connect and popular apps for learning, playing or composing music.

### SENSOR TECHNOLOGY ①

Optical sensors record the most subtle nuances in the movements of keys and pedals without making contact, providing flawless digital control over dynamics, articulation and agogic accents. Infrared sensors perform more than 200,000 measurements per second and calculate key velocity every 400 microseconds.

### CONNECT PRO

The USB-C interface built into the C. Bechstein Connect Pro provides a wired connection with minimum latency for professional recordings in a studio.

Paired with the installation of the C. Bechstein hammer stop rail, which is configured for each individual instrument model, the instrument becomes a master keyboard.

### POSSIBLE APPLICATIONS ②

#### MUSIC PRODUCTION

C. Bechstein Connect is compatible with popular DAW solutions such as Logic, Ableton and Cubase, making it easy to record piano pieces and produce music with plugins, loops and samples.

#### MUSICAL NOTATION

C. Bechstein Connect is compatible with notation software including Sibelius, Dorico and Finale, for notation in real time.

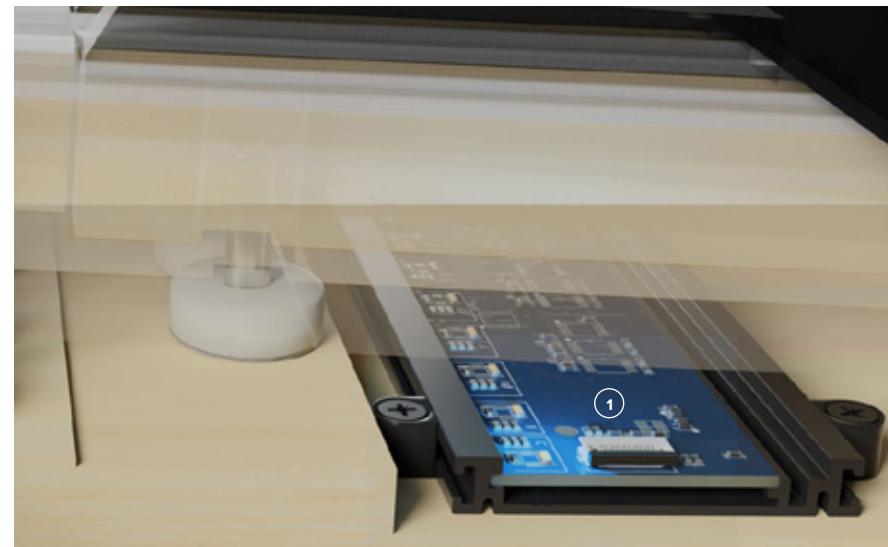
#### DIGITAL MUSIC LESSONS

C. Bechstein Connect and the all-in-one platform for digital music lessons doozoo (by C. Bechstein) are made for each other. In conjunction with C. Bechstein Connect, doozoo visualizes the notes played in a chord diagram or on the integrated virtual piano.

#### SOFTWARE INSTRUMENTS

Sample databases such as the Vienna Symphonic Library or virtual instruments like Pianoteq provide thousands of sounds for the piano.

The C. Bechstein Digital Grand Library sets new standards in the world of digital grand pianos.



# Residence R 4 Contur | Digital extensions (optional)

## VARIO duet – Silent System

Das VARIO duet (3) adds a silent mode (4) and sound generation to C. Bechstein Connect. The sound module has two headphone outputs and high-fidelity Audio I/O.

### OPERATION (5)

Easy to operate with a single button. The built-in USB-C interface provides cutting-edge connectivity and recharges connected devices at high speeds of up to 45 W.

### HAMMER STOP RAIL (6)

The rail stops the hammers just before they touch the strings and mutes the acoustic piano. The original touch and the precise, controllable key strikes are maintained.

### THE VARIO APP (7)

The VARIO app for iOS / iPadOS and Android is the set-up and control centre for the VARIO digital system.

### HEADPHONES (8)

C. Bechstein headphones were developed especially for the VARIO silent systems. Their high fidelity and optimal wearing comfort are their hallmarks.

### SOUND

The digital sound of the C. Bechstein Concert D-282 delivers a vast dynamic range and a remarkably sophisticated sound spectrum. Fully orchestral and clear across all registers for maximum artistic expressiveness.



# Residence R 4 Contur | Technical data

## DIMENSIONS, WEIGHTS, COLORS

<b>Dimensions</b>	152.5 × 120 × 61.1 cm 4' 0" × 3' 11" × 24"
<b>Leg room</b>	65.1 cm
<b>Net weight</b>	223 kg   492 lbs
<b>Designs</b>	Black, white; other finishes and veneers available on request

## ACOUSTIC ASSEMBLY

### Soundboard

<b>Material</b>	Selected, very fine-grained European mountain spruce
<b>Tapering</b>	8 mm

### Ribs

<b>Number</b>	11
<b>Material</b>	Selected, very fine-grained European mountain spruce
<b>Tapering</b>	After gluing the ribs to the soundboard

### Bridge

<b>Bridge body</b>	Solid beech
<b>Bridge cap</b>	Solid beech

### Rim beams

<b>Number</b>	6
<b>Material</b>	Robust, triple-laminated and tapered braces made of solid pine
<b>Dimensions</b>	90 × 60 mm

<b>Back frame / brace joints</b>	Mortise and tenon joint in the lower beam, upper part glued with pinblock and rear plank, and solid blocks between the braces.
<b>Soundboard support</b>	Solid Beech; diagonal corner resonators in bass and treble made of solid maple and Mahogany clearly define and support the soundboard area
<b>Pinblock</b>	Multiple glued and compressed layers of beech (Delignit)
<b>Tuning pins</b>	Nickle-plated steel, 6.9 mm × 64 mm, with plate dowels
<b>Cast-iron frame</b>	Sand-cast grey iron, drilled and milled with CNC technology
<b>Bass / Middle / Treble</b>	30 / 28 / 30
<b>Agraffes</b>	
<b>Material</b>	Brass
<b>Number of bass</b>	30
<b>Number of middle length</b>	28
<b>Treble</b>	30
<b>Number of overspun strings</b>	
<b>Single strings</b>	14
<b>Bichords</b>	16
<b>Longest bass string</b>	1,160 mm
<b>Longest tenor string</b>	1,050 mm
<b>Upper V-bar/Agraffes/Duplex</b>	Agraffes
<b>Rear string bearing (bridge)</b>	Semi-circular brass bearing

# Residence R 4 Contur | Technical data

## ACTION

<b>White keytops</b>	Man-made white keytops
<b>Black keytops</b>	Ebony
<b>Key material</b>	Selected spruce; with stable felt bushings treated for minimal friction and wear resistance
<b>Total key length</b>	377 mm
<b>Key length front to capstan</b>	352 mm
<b>Key levers front/rear</b>	208/144 mm
<b>Capstan material</b>	Brass

## Action

<b>Frame</b>	Traditional action with wooden rails
<b>Parts</b>	Hornbeam
<b>Down weight</b>	Bass 52 g; Middle 51 g; Treble 50 g
<b>Up weight</b>	30 g – 34 g
<b>3 pedals</b>	Piano, Muffler, Forte (Damper)

## HAMMERHEADS

<b>Manufacturer</b>	C. Bechstein Pianofortemanufaktur, Seiffhennersdorf, Saxony, Germany
<b>Core wood type</b>	Walnut

## FALLBOARD

<b>Soft close</b>	Optional
<b>Lock</b>	No lock, school equipment optional

## CASTERS

<b>Type</b>	Solid brass double wheel castors, school equipment optional
<b>Diameter</b>	30 mm

## MANUFACTURER

<b>Manufacturer</b>	C. Bechstein Pianofortemanufaktur, Seiffhennersdorf, Saxony, Germany
<b>Quality control</b>	Quality control by C. Bechstein master piano makers and concert technicians
<b>Warranty</b>	5 years manufacturers warranty by C. Bechstein, Germany

**Established by  
Carl Bechstein in Berlin  
in 1853 and beloved  
by the most significant  
artists ever since, from  
Franz Liszt to Elton John.**

C. Bechstein is one of the very few names to be synonymous with outstanding grand and upright pianos the world over. Established by Carl Bechstein in Berlin in 1853, the pianoforte workshop quickly grew into a company which, to this day, enjoys a stellar reputation in the eyes of musicians.

The quality of its pianos was valued by Franz Liszt, Richard Wagner and Hans von Bülow, as well as by Wilhelm Backhaus, Sergei Rachmaninoff and Leonard Bernstein.

The name “C. Bechstein” can even be found on the pages of pop and rock history. The greatest hits by Elton John, the Beatles, Queen and countless other artists were crafted on C. Bechstein pianos. This is due in no small part to the founder’s passion for development, to which the company remains beholden to this day.

Relentless research and development, supreme vertical integration down to the smallest details and continuous expert training mean our pianos represent the absolute pinnacle of piano construction — always in the spirit of C. Bechstein’s famed touch and sound.

**Fascinating  
sound. Loved  
and adored ever  
since it was  
developed by the  
visionary master  
piano maker  
Carl Bechstein.**

#### **PUBLISHING DETAILS**

© 2026 C. Bechstein Sales & Service GmbH  
Kantstraße 17 | 10623 Berlin  
Phone: +49 (0)30 226 05 59 59  
welcome@bechstein.com

**www.bechstein.com**

 bechstein.official

 bechstein.official

 C. Bechstein

Pictures: Pascal Bünning, C. Bechstein

C. Bechstein reserves the right to make technical changes to all models with regard to acoustic construction, cabinet, leg and lyre design and finishes.