


C. BECHSTEIN

Concert C 6



Welcome to the exquisite German grand and upright piano manufactory.

”

Piano music should
only be written
for the Bechstein.

Claude Debussy

**Ever since 1853,
C. Bechstein has been
handcrafting the finest
masterpieces of
German piano tradition,
the gold standard for the
most sophisticated ears
and discerning fingers.**

A touch of unsurpassed refinement and elegance! Colorful, singing and balanced, enabling to interpret music from any genre. Extraordinary acoustic experiences are the hallmark of a concert upright piano from C. Bechstein. It is famous for its stability and durability over generations.

Concert models from C. Bechstein possess a personality unlike any other upright piano and their sound and touch are easily mistaken for those of a grand piano.

A three-dimensional, virtuosic sound with maximum dynamic range, colorful sound rich in overtones from the softest pianissimo to the powerful fortissimo

C. Bechstein action made of brass rails filled with solid Jatoba wood, hammer heads with walnut mouldings

The essential construction principles are based on Concert grand pianos

Exceptionally robust pine back frame to maintain the sound-supporting tension within the acoustic assembly

Elaborate cast-iron frame made by sand casting with furan resin moulds

Agraffes in the bass, beryllium copper V-bar with a duplex pressure-bar in the middle and treble sections, duplex scale in the treble

Compatible with Bluetooth MIDI (C. Bechstein Connect)

Top-of-the-line traditional cabinet, elegant forged concert pedals

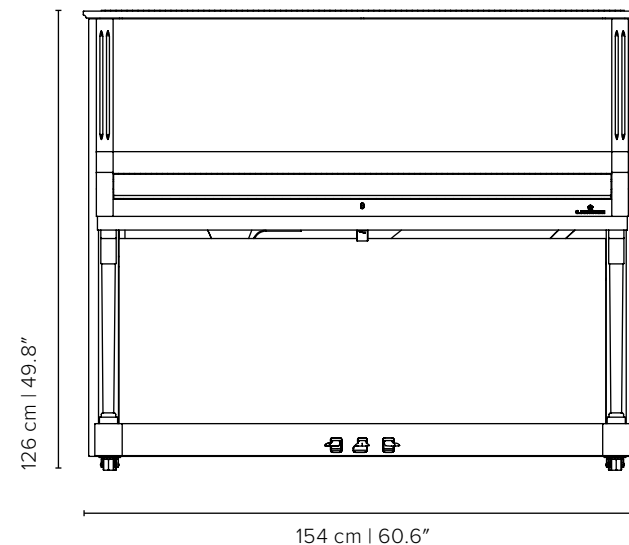
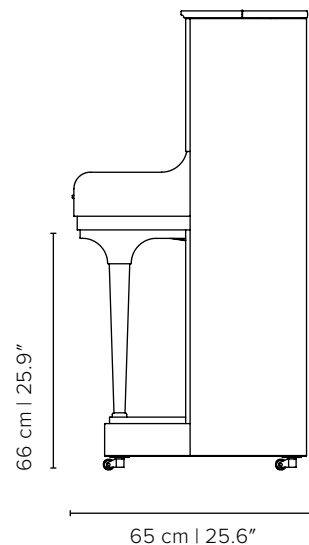


Concert C 6

Top quality – Handmade in Germany

The C. Bechstein C 6 concert grand piano is in a class of its own in this size. Thanks to the design features of the C. Bechstein concert grand pianos, the Concert C 6 offers an exceptional sound and dynamic spectrum for an upright piano, combined with a highly professional touch and impressive repetition. A concert piano with an astonishing richness of sound and dynamic range.

Dimensions & weight	154 × 126 × 65 cm 254 kg 60.6" × 49.8" × 25.6" 560 lbs
Designs	Black, white; other finishes and veneers available on request
Soundboard	Selected, exceptionally fine-grained European mountain spruce (grown at highest elevations)
Action & Hammerheads	Original C. Bechstein components; Developed and produced by C. Bechstein
Pedals	Piano (Una Corda), Muffler (optional Sostenuto), Forte (Damper)
Keys	Man-made white key tops with a pleasant grip & ebony sharps
Pin block	C. Bechstein pin block with three cross-laminated, solid hard maple layers, outer layers made from cross-laminated sheets of beech veneer



[→ Learn more about the model](#)

Concert C 6 | Acoustic assembly

C. BECHSTEIN RESILIENT SOUND SYSTEM

The unique and holistic engineering concept of C. Bechstein Concert upright pianos exclusively uses elements of Concert grand piano construction that support and enrich the sound. In combination with the C. Bechstein principle of sound-supporting tension, all components are carefully selected and balanced for dynamic range, volume, tone length and richly colorful sound, not to mention optimal tuning stability and outstanding longevity.

BACK FRAME

Six **exceptionally robust**, quadruple-laminated and **tapered** braces made of layers of solid pine form the stable backbone of the Concert upright piano. The sophisticated design with mortise and tenon joint supports the vibrating soundboard and absorbs tension from the cast-iron frame. Soundboard support frame made from solid European beech; additional diagonal soundboard support bars in the bass and treble made from **maple with mahogany inserts** to enclose the vibrating soundboard. This premium quality construction guarantees climatic stability as well as impressive tonal volume and exceptional tuning stability. ①

PINBLOCK

Block with **three solid layers** ② of American hard maple, outer layers made from cross-laminated sheets of beech veneer. High proportion of solid wood for excellent, even tunability and tuning stability.

TUNING PINS

Quality tuning pins ③ made from nickel-plated steel, **7.1 mm × 64 mm**. Balanced torque, low torsion, excellent tunability and tuning stability **with no tuning pin bushings**.



②

③

Example images representative of this model line



- ARTISANS - C. BECHSTEIN MANUFACTORY SEIFENHERRSDORF -

Concert C 6 | Acoustic assembly

CAST-IRON FRAME

The cast-iron frame ④ has the stability needed to withstand the enormous string-tension. Thanks to the careful sizing and traditional method of sand casting by hand, the cast-iron frame also enhances the sound. The special method of sand casting in **furan resin moulds** produces a sound propagation speed of 4,000 metres per second.

STRINGS

Made from quality piano wire with high tensile strength and valuable copper wire from Germany, the strings have been calculated to maximize string length with balanced registers, harmonious overtone spectrum and excellent tuning stability. The strings are held in place by agraffes in the bass and a beryllium copper V-bar, as well as a duplex pressure bar in the middle and treble sections. **Duplex scaling** in the treble section.

DUPLEX SYSTEM

Resonating duplex strings enrich the color and vibrancy of the tone. The system comprises the front duplex strings at a defined angle to the speaking length for a clear, colorful sound, as well as the rear duplex strings ⑤ that enrich the harmonic overtones of the strings, tuned in fifths and octaves.

SOUNDBOARD

The soundboard and ribs are made from **special selected**, fine-grained, Concert-standard European mountain spruce, which is stored for years and dried carefully. The bridges consist of solid European beech with European beech caps. The ribs are not tapered towards their end until they have been glued onto the soundboard. This promotes the elasticity of the board. The diagonal soundboard supports are designed to optimize the adaption of the soundboard to the string scale.





– ARTISANS – C. BECHSTEIN MANUFACTORY SEIFENHERSDORF –

Concert C 6 | Action

C. BECHSTEIN DYNAMIC TOUCH DESIGN

Developed by C. Bechstein in-house, the highly reliable actions allow perfect control and execution in any position of the key movement and offer quick repetition as well as a pleasant and even touch. Every key is balanced individually.

KEYBOARD

A quality keyboard made of solid spruce keys, man-made white key tops with a **pleasant grip** and ebony sharps. Precise key movements with high-quality, wear-resistant bushing felt.

C. BECHSTEIN ACTION ⑥

All components are designed, specified, selected, inspected and calibrated for precise and reliable function and durability. Strict selection and testing of all materials with regard to density, durability and gliding properties guarantee a reliable action at all times.

The robust C. Bechstein action frame made of brass rails filled with solid wood promotes a precise, dynamic touch and climate stability.

C. BECHSTEIN CONNECT

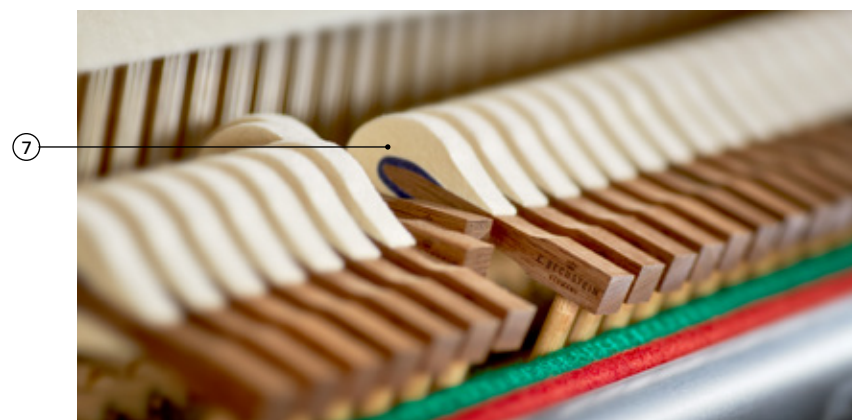
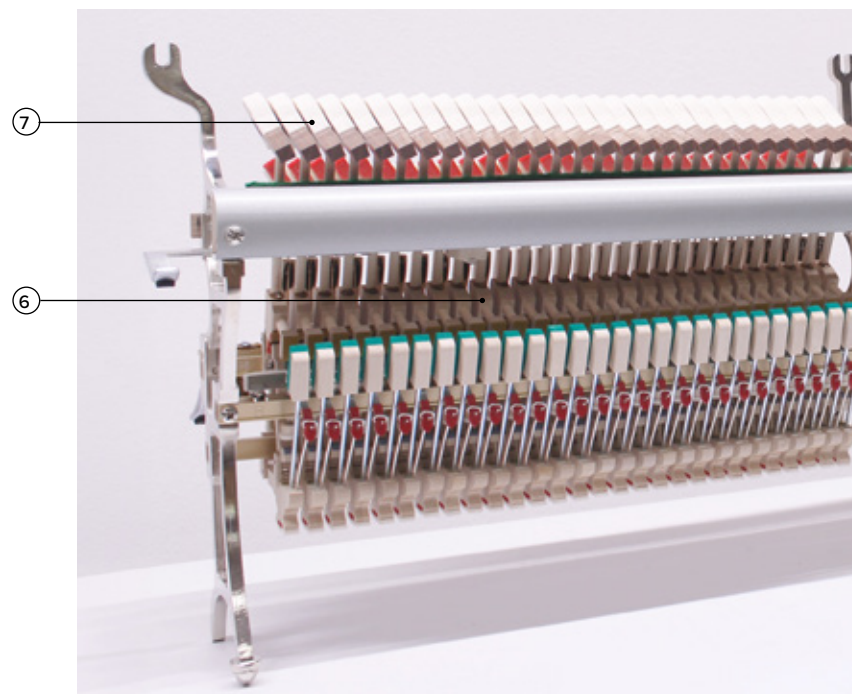
High-resolution, contactless infrared sensors record the piano piece, convert it to MIDI and make it available via Bluetooth. The original touch of the acoustic instrument is maintained.

C. BECHSTEIN HAMMERHEADS

Developed and produced in-house, C. Bechstein hammer heads ⑦ are a significant and consistent factor in the unique sound of the C. Bechstein Concert line – made with the highest-quality elastic felt and **walnut** mouldings. The intricate, multi-stage process of voicing is carried out by selected **C. Bechstein master piano makers and concert technicians**.

PEDALS

3 pedals: Piano (una corda), moderator (optional sostenuto) and forte (damper)





– ARTISANS – C. BECHSTEIN MANUFACTORY SEIFENHEERSDORF –

Concert C 6 | C. Bechstein Digital Systems

C. Bechstein Connect & Connect Pro

C. Bechstein Connect is a digital component for an acoustic instrument. While playing the piano, the system scans the keyboard and pedals of the instrument in high resolution and converts the data into MIDI, a universal musical instrument language. It connects to the popular apps via Bluetooth. The original touch of the acoustic instrument is maintained.

BLUETOOTH-MIDI

Connect smartphones, tablets or notebooks via Bluetooth to C. Bechstein Connect and popular apps for learning, playing or composing music.

SENSOR TECHNOLOGY ①

Optical sensors record the most subtle nuances in the movements of keys and pedals without making contact, providing flawless digital control over dynamics, articulation and agogic accents. Infrared sensors perform more than 200,000 measurements per second and calculate key velocity every 400 microseconds.

CONNECT PRO

The USB-C interface built into the C. Bechstein Connect Pro provides a wired connection with minimum latency for professional recordings in a studio.

Paired with the installation of the C. Bechstein hammer stop rail, which is configured for each individual instrument model, the instrument becomes a master keyboard.

POSSIBLE APPLICATIONS ②

MUSIC PRODUCTION

C. Bechstein Connect is compatible with popular DAW solutions such as Logic, Ableton and Cubase, making it easy to record piano pieces and produce music with plugins, loops and samples.

MUSICAL NOTATION

C. Bechstein Connect is compatible with notation software including Sibelius, Dorico and Finale, for notation in real time.

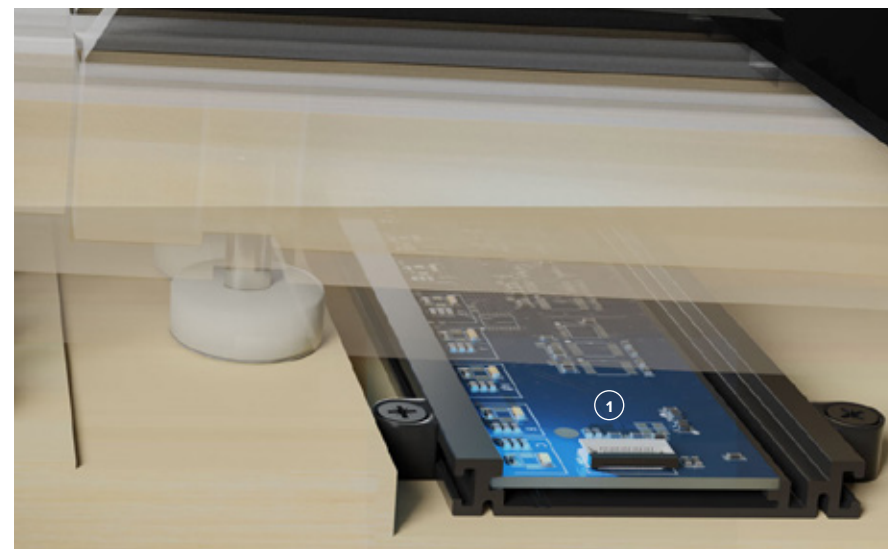
DIGITAL MUSIC LESSONS

C. Bechstein Connect and the all-in-one platform for digital music lessons doozoo (by C. Bechstein) are made for each other. In conjunction with C. Bechstein Connect, doozoo visualizes the notes played in a chord diagram or on the integrated virtual piano.

SOFTWARE INSTRUMENTS

Sample databases such as the Vienna Symphonic Library or virtual instruments like Pianoteq provide thousands of sounds for the piano.

The C. Bechstein Digital Grand Library sets new standards in the world of digital grand pianos.



Concert C 6 | Digital extensions (optional)

VARIO duet – Silent System

Das VARIO duet (3) adds a silent mode (4) and sound generation to C. Bechstein Connect. The sound module has two headphone outputs and high-fidelity Audio I/O.

OPERATION (5)

Easy to operate with a single button. The built-in USB-C interface provides cutting-edge connectivity and recharges connected devices at high speeds of up to 45 W.

HAMMER STOP RAIL (6)

The rail stops the hammers just before they touch the strings and mutes the acoustic piano. The original touch and the precise, controllable key strikes are maintained.

THE VARIO APP (7)

The VARIO app for iOS / iPadOS and Android is the set-up and control centre for the VARIO digital system.

HEADPHONES (8)

C. Bechstein headphones were developed especially for the VARIO silent systems. Their high fidelity and optimal wearing comfort are their hallmarks.

SOUND

The digital sound of the C. Bechstein Concert D-282 delivers a vast dynamic range and a remarkably sophisticated sound spectrum. Fully orchestral and clear across all registers for maximum artistic expressiveness.



Concert C 6 | Technical data

DIMENSIONS, WEIGHTS, COLORS

Dimensions	154 × 126 × 65 cm 60.6" × 49.8" × 25.6"
Leg room	66 cm
Net weight	254 kg 560 lbs
Designs	Black, white; other finishes and veneers available on request

ACOUSTIC ASSEMBLY

Soundboard

Material	Selected, exceptionally fine-grained European mountain spruce (grown at highest elevations)
Tapering	8 mm

Ribs

Number	11
Material	Selected, exceptionally fine-grained European mountain spruce (grown at highest elevations)
Tapering	After gluing the ribs to the soundboard

Bridge

Bridge body	Solid beech
Bridge cap	Solid beech

Rim beams

Number	6
Material	Exceptionally robust, quadruple-laminated and tapered braces made of solid pine
Dimensions	5 braces 95 × 80 mm, 1 brace 80 × 80 mm

Back frame / brace joints	Mortise and tenon joint in the lower beam, upper part glued with pinblock and rear plank, and solid blocks between the braces
Soundboard support	Solid Beech; diagonal corner resonators made of solid maple and Mahogany clearly define and support the soundboard area
Pinblock	C. Bechstein pin block with three cross-laminated, solid hard maple layers, outer layers made from cross-laminated sheets of beech veneer
Tuning pins	Nickle-plated steel, 7.1 mm × 64 mm, without wooden plate bushings
Cast-iron frame	Traditional sand-casting in furan resin molds, drilled and milled with CNC technology; Sound propagation speed of min. 4,000 metres per second
Bass / Middle / Treble	29 / 29 / 30
Agraffes	
Material	Brass
Number of bass	28
Number of middle length	V-Bar made of Beryllium copper with Duplex pressure bar
Treble	V-Bar made of Beryllium copper with Duplex pressure bar
Number of overspun strings	
Single strings	14
Bichords	15
Longest bass string	1,200 mm
Longest tenor string	1,000 mm

Concert C 6 | Technical data

Duplex System at the pressure bar	Duplex pressure bar in middle und treble section, V-Bar made of Beryllium copper
--	--

Duplex scale in the treble	Duplex scale in the treble
-----------------------------------	----------------------------

ACTION

White keytops	Man-made white key tops with a pleasant grip
----------------------	--

Black keytops	Ebony
----------------------	-------

Key material	Spruce; with stable felt bushings treated for minimal friction and wear resistance
---------------------	--

Total key length	400.5 mm
-------------------------	----------

Key length front to capstan	375.5 mm
------------------------------------	----------

Key levers front/rear	221 / 154.5 mm
------------------------------	----------------

Capstan material	Wood
-------------------------	------

Frame

Parts	C. Bechstein action; brass rails filled with solid wood
--------------	---

Down weight	Hornbeam
--------------------	----------

Up weight	Bass 52 g; Middle 51 g; Treble 50 g
------------------	-------------------------------------

Aufgewicht	30 g – 34 g
-------------------	-------------

3 pedals	Piano (Una Corda), Muffler (optional Sostenuto), Forte (Damper)
-----------------	---

HAMMERHEADS

Manufacturer	C. Bechstein Pianofortemanufaktur, Seifhennersdorf, Saxony, Germany
---------------------	---

Core wood type	Walnut
-----------------------	--------

FALLBOARD

Soft close	Optional
-------------------	----------

Lock	Fallboard lock
-------------	----------------

CASTERS

Type	Double wheel castors, school equipment optional
-------------	---

Diameter	30 mm
-----------------	-------

MANUFACTURER

Manufacturer	C. Bechstein Pianofortemanufaktur, Seifhennersdorf, Saxony, Germany
---------------------	---

Quality control	Quality control by C. Bechstein master piano makers and concert technicians
------------------------	---

Warranty	5 years manufacturers warranty by C. Bechstein, Germany
-----------------	---

**Established by
Carl Bechstein in Berlin
in 1853 and beloved
by the most significant
artists ever since, from
Franz Liszt to Elton John.**

C. Bechstein is one of the very few names to be synonymous with outstanding grand and upright pianos the world over. Established by Carl Bechstein in Berlin in 1853, the pianoforte workshop quickly grew into a company which, to this day, enjoys a stellar reputation in the eyes of musicians.

The quality of its pianos was valued by Franz Liszt, Richard Wagner and Hans von Bülow, as well as by Wilhelm Backhaus, Sergei Rachmaninoff and Leonard Bernstein.

The name “C. Bechstein” can even be found on the pages of pop and rock history. The greatest hits by Elton John, the Beatles, Queen and countless other artists were crafted on C. Bechstein pianos. This is due in no small part to the founder’s passion for development, to which the company remains beholden to this day.

Relentless research and development, supreme vertical integration down to the smallest details and continuous expert training mean our pianos represent the absolute pinnacle of piano construction — always in the spirit of C. Bechstein’s famed touch and sound.

**Fascinating
sound. Loved
and adored ever
since it was
developed by the
visionary master
piano maker
Carl Bechstein.**

PUBLISHING DETAILS

© 2026 C. Bechstein Sales & Service GmbH
Kantstraße 17 | 10623 Berlin
Phone: +49 (0)30 226 05 59 59
welcome@bechstein.com

www.bechstein.com

 bechstein.official

 bechstein.official

 C. Bechstein

Pictures: Pascal Bünning, C. Bechstein

C. Bechstein reserves the right to make technical changes to all models with regard to acoustic construction, cabinet, leg and lyre design and finishes.